


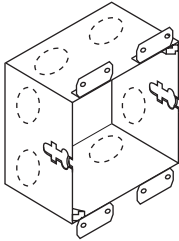

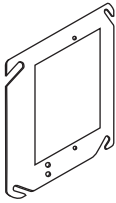
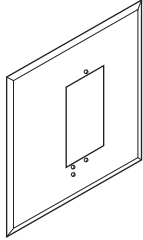
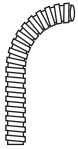
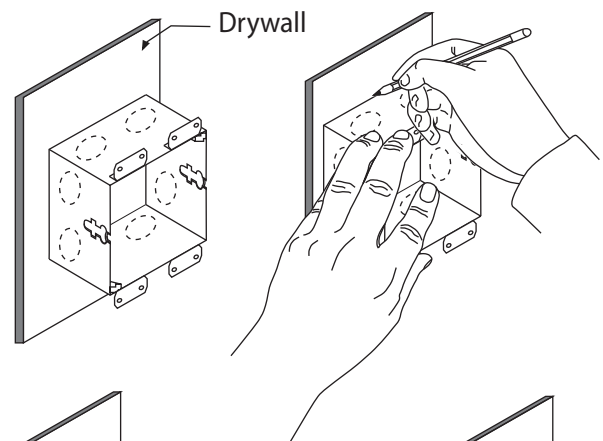
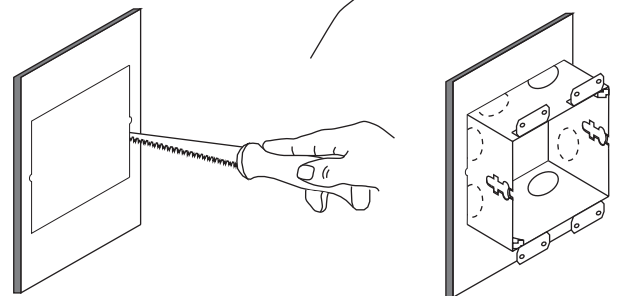


TOOLS REQUIRED (NOT SUPPLIED)			KIT ITEMS				
							
Screw Driver	Pencil	Drywall Key Hole Saw	4"x4" Dual Gang Box	Retention Tabs	Single Gang Mud-Ring	White Cover Plate	ENT Tube

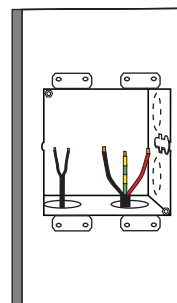
1. Take the electrical box and place it against the wall where it will be located. Take a pencil and trace the outline of the box on the wall (do NOT trace around the 4 permanent retention tabs located on the upper and lower edges of the box), enlarging the hole slightly at the point where the side retention tabs are located.



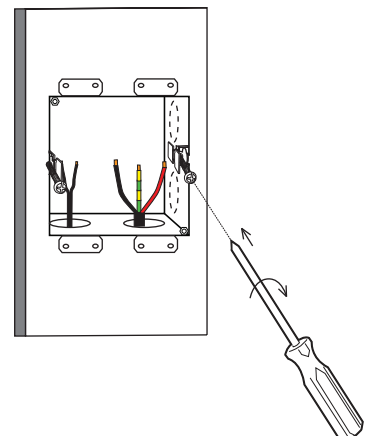
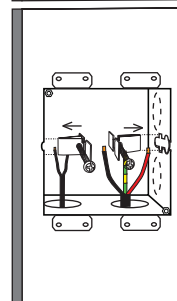
2. Using a drywall key hole saw, carefully cut the hole along the traced outline and remove the drywall blank. Knock out the necessary holes in the rework box. Push the box into the hole.



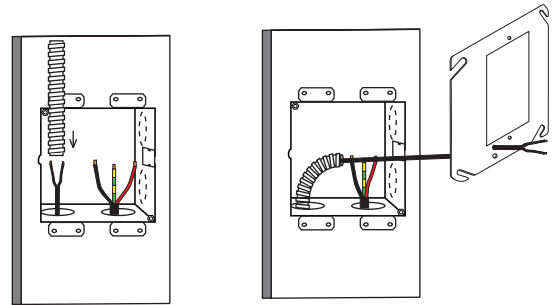
3. Route the heating system cold leads and line voltage wires into the box through the correct knock-outs. Route the sensor wire into a separate knock-out in the box.



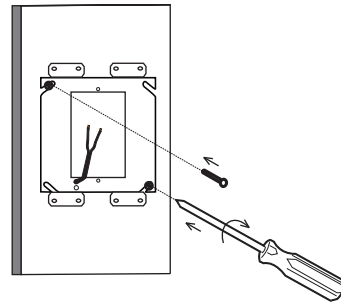
4. Push the retention tabs into the slots on the sides of the box from the inside until they snap into the side walls. Tighten the retention tab screws until the retention tabs hold the box firmly in place.



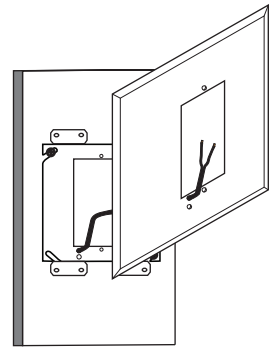
5. Place the smurf/ENT tube over the sensor wire to protect it from the high voltage wires.
Place sensor wires into and through the top hole at the bottom of the silver, single gang mud-ring.



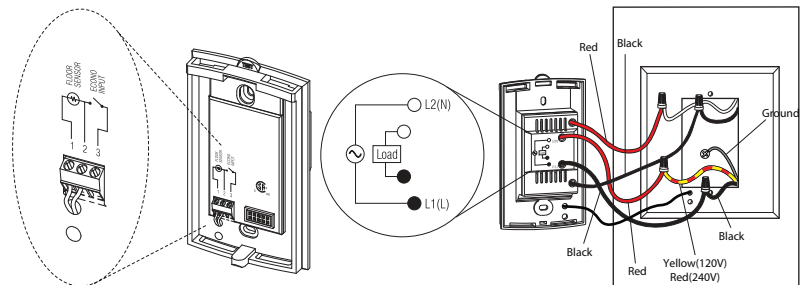
6. Attach the silver, single gang mud-ring to the 4"x4" box.



7. Place sensor wires into and through the top hole at the bottom of the white cover plate.
Place the white cover plate loosely over the the silver mud-ring so all the holes align.



8. Make connections to line and load wires at the back of the thermostat. Place sensor wires into and through the top hole of the thermostat's power base. Attach the sensor wires to the front of the thermostat's power base.



9. Place the thermostat on the front of the white cover plate and line up all of the holes. Use the included screws to attach the power base and white cover plate to the silver mud-ring. Center and level the thermostat and then tighten the screws to hold the pieces in place. Install thermostat's faceplate onto the power base.

